



# COLDBRU

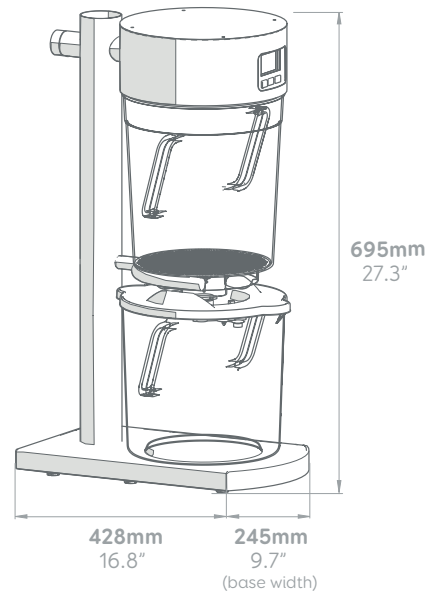
The quickest, easiest, most consistent way to brew ready-to-drink or concentrate coffee.

- > Average 19% extraction and 4% TDS (up to 30% better yield than leading competitor)
- > Easy to clean with no paper filters
- > Average brew time of 3 hours
- > Input and save up to 3 recipes for ease and consistency

**COLDBRU**  
1000950



## DIMENSIONS



## SPECS

NAME ORDER CODE	DIMENSIONS INCL. HANDLES (D x W x H mm)	PLUMBING REQS	POWER REQS	WEIGHT
ColdBRU 1000950	428 x 323 x 695	1/4" Pushfit or 3/4" BSP Female	230V 50/60Hz	11 kg

## PACKAGING

NAME ORDER CODE	PACKAGING DIMENSIONS (D x W x H mm)	PACKED WEIGHT	QTY / PALLET
ColdBRU 1000950	490 x 400 x 900	12.2kg	6